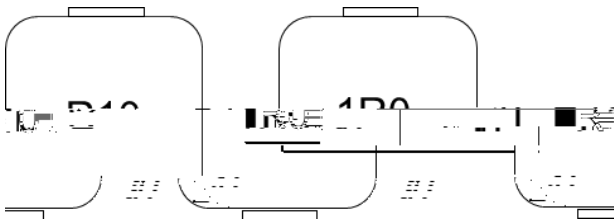
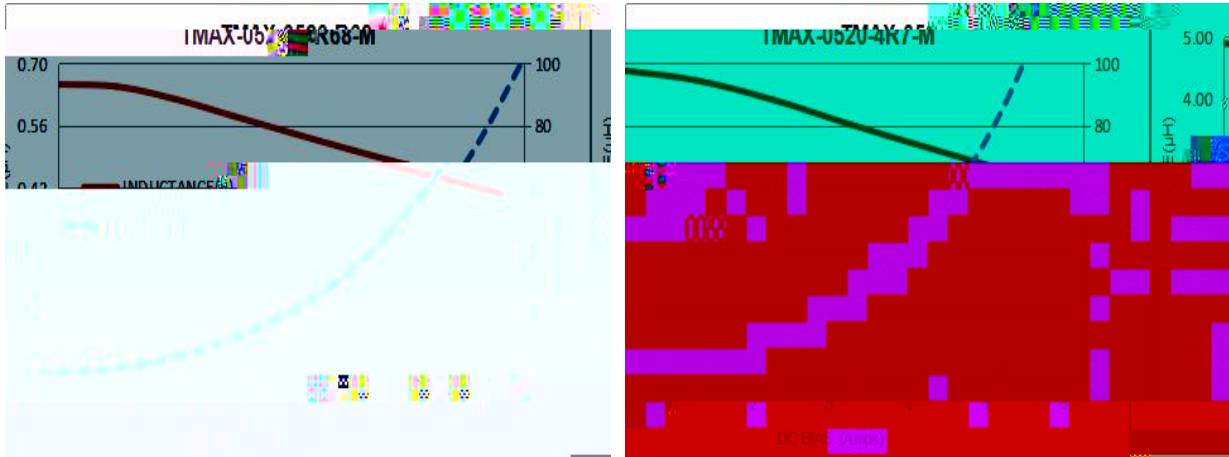


-
-



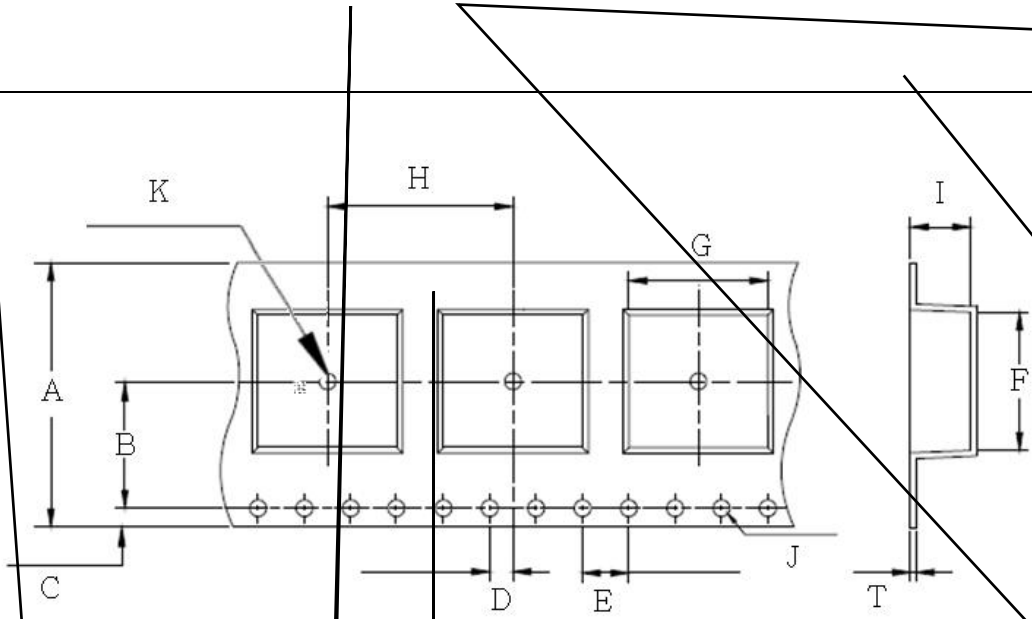
	μ					

: (),
()



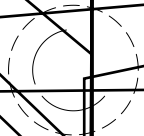
	\pm $\pm \text{ } ^\circ\text{C} \text{ } \pm$	
		\pm

	\pm \pm \rightarrow \rightarrow \pm \pm \rightarrow	
		\pm
		\pm
		\pm
		\pm
		\pm

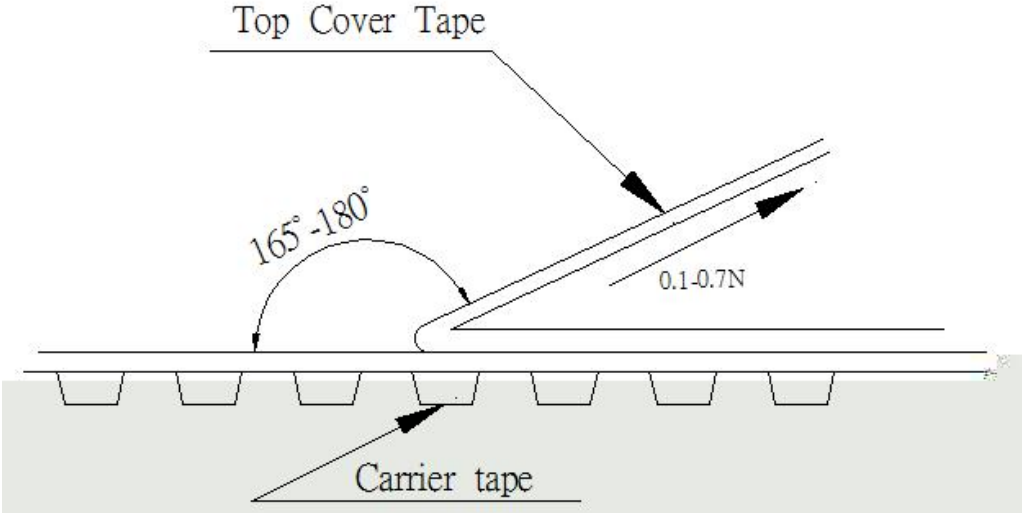


±	±	±	±	±	±	±
±	±	±	±	±	±	±

±	±	



-
-



●

●
●

✓
✓
✓
✓
✓

✓
✓
✓
✓
✓

➤

➤
✓
✓

✓
✓

➤

➤

